

# CHAIN SPROCKETS FOR CONVEYORS AND ELEVATORS



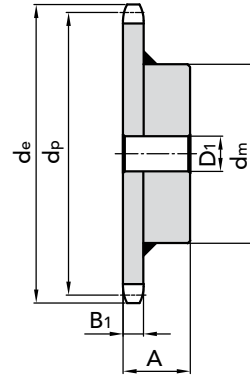
## CHAIN SPROCKETS P50 R 25 - 31

### CHAIN

|                                |      |    |
|--------------------------------|------|----|
| Pitch                          | 50   | mm |
| Inner width                    | 11,5 | mm |
| Roller Ø                       | 25   | mm |
| Plate thickness B <sub>1</sub> | 10,5 | mm |

### CHAIN

|                                |      |    |
|--------------------------------|------|----|
| Pitch                          | 50   | mm |
| Inner width                    | 15   | mm |
| Roller Ø                       | 31   | mm |
| Plate thickness B <sub>1</sub> | 13,8 | mm |



### CHAIN SPROCKETS P50

### ROLLER 25

### ROLLER 31

| Z  | d <sub>e</sub> | d <sub>p</sub> | PART NUMBER | D <sub>1</sub> | d <sub>m</sub> | A    | kg.   | PART NUMBER | d <sub>e</sub> | d <sub>p</sub> | D <sub>1</sub> | d <sub>m</sub> | A    | kg.   |
|----|----------------|----------------|-------------|----------------|----------------|------|-------|-------------|----------------|----------------|----------------|----------------|------|-------|
| 6  | 115,0          | 100,0          | 14502506    | 20             | 60             | 40,5 | 1,11  | 14503106    | 116,2          | 100            | 20             | 60             | 43,8 | 1,18  |
| 7  | 132,7          | 115,24         | 14502507    | 20             | 60             | 40,5 | 1,37  | 14503107    | 133,8          | 115,24         | 20             | 60             | 43,8 | 1,44  |
| 8  | 148,1          | 130,6          | 14502508    | 20             | 60             | 40,5 | 1,55  | 14503108    | 152,3          | 130,6          | 20             | 60             | 43,8 | 1,72  |
| 9  | 163,7          | 146,2          | 14502509    | 20             | 60             | 40,5 | 1,89  | 14503109    | 167,9          | 146,2          | 20             | 60             | 43,8 | 2,05  |
| 10 | 179,3          | 161,85         | 14502510    | 25             | 90             | 43,3 | 3,10  | 14503110    | 183,5          | 161,85         | 25             | 90             | 46,6 | 4,40  |
| 11 | 195,0          | 177,5          | 14502511    | 25             | 90             | 43,3 | 3,44  | 14503111    | 199,2          | 177,5          | 25             | 90             | 46,6 | 3,80  |
| 12 | 211,0          | 193,2          | 14502512    | 25             | 90             | 43,3 | 4,79  | 14503112    | 212,0          | 193,2          | 25             | 90             | 46,6 | 4,30  |
| 13 | 226,4          | 208,95         | 14502513    | 30             | 90             | 43,3 | 4,17  | 14503113    | 230,6          | 208,95         | 30             | 90             | 46,6 | 4,78  |
| 14 | 242,2          | 224,7          | 14502514    | 30             | 90             | 43,3 | 4,63  | 14503114    | 246,4          | 224,7          | 30             | 90             | 46,6 | 5,37  |
| 15 | 257,9          | 240,45         | 14502515    | 30             | 90             | 43,3 | 5,09  | 14503115    | 262,1          | 240,45         | 30             | 90             | 46,6 | 5,98  |
| 16 | 273,8          | 456,3          | 14502516    | 30             | 110            | 55,4 | 8,26  | 14503116    | 278,0          | 256,3          | 30             | 110            | 58,7 | 9,05  |
| 17 | 289,5          | 272,05         | 14502517    | 30             | 110            | 55,4 | 9,10  |             |                |                |                |                |      |       |
| 18 | 305,4          | 287,95         | 14502518    | 30             | 110            | 55,4 | 9,26  | 14503118    | 309,6          | 287,95         | 30             | 110            | 58,7 | 10,30 |
| 19 |                |                |             |                |                |      |       | 14503119    | 325,5          | 303,8          | 30             | 110            | 58,7 | 11,10 |
| 20 | 337,1          | 319,6          | 14502520    | 30             | 110            | 55,4 | 10,42 | 14503120    | 341,3          | 319,6          | 30             | 110            | 58,7 | 11,90 |
| 21 | 352,9          | 335,45         | 14502521    | 30             | 110            | 55,4 | 11,71 |             |                |                |                |                |      |       |
| 22 |                |                |             |                |                |      |       | 14503122    | 373,0          | 351,35         | 30             | 110            | 58,7 | 13,54 |
| 23 |                |                |             |                |                |      |       | 14503123    | 388,9          | 367,2          | 30             | 110            | 58,7 | 14,38 |
| 24 | 400,0          | 383,05         | 14502524    | 30             | 110            | 55,4 | 13,00 | 14503124    | 404,7          | 383,05         | 30             | 110            | 58,7 | 15,35 |
| 25 | 416,4          | 398,95         | 14502525    | 30             | 110            | 55,4 | 13,98 | 14503125    | 419,7          | 398,95         | 30             | 110            | 58,7 | 16,40 |
| 26 | 432,3          | 414,8          | 14502526    | 30             | 133            | 61,1 | 15,20 | 14503126    | 436,5          | 414,8          | 30             | 133            | 64,4 | 18,81 |
| 27 | 448,2          | 430,7          | 14502527    | 30             | 133            | 61,1 | 17,03 | 14503127    | 452,4          | 430,7          | 30             | 133            | 64,4 | 19,00 |
| 28 | 464,0          | 446,55         | 14502528    | 30             | 133            | 61,1 | 18,62 | 14503128    | 468,2          | 446,55         | 30             | 133            | 64,4 | 21,00 |
| 30 | 495,8          | 478,35         | 14502530    | 30             | 133            | 61,1 | 20,29 |             |                |                |                |                |      |       |
| 32 |                |                |             |                |                |      |       | 14503132    | 531,8          | 510,1          | 30             | 133            | 64,4 | 25,93 |
| 35 |                |                |             |                |                |      |       | 14503135    | 579,5          | 557,8          | 30             | 133            | 64,4 | 28,40 |
| 38 | 622,9          | 605,45         | 14502538    | 30             | 133            | 61,1 | 26,97 | 14503138    | 622            | 605,45         | 30             | 133            | 64,4 | 32,10 |

ALL THE CHAIN SPROCKETS FOR TRANSPORTERS AND ELEVATORS ARE REALIZED WITH WELDED HUB.



CAD drawings available on our site  
[www.chiaravalli.com](http://www.chiaravalli.com)

Quantity, availability and prices  
 on B2B Chiaravalli



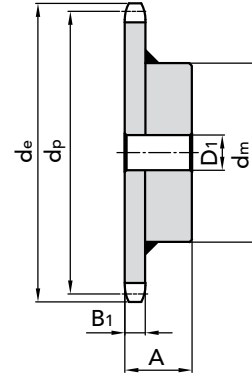
## CHAIN SPROCKETS P75 R 31

### CHAIN

|                                |      |    |
|--------------------------------|------|----|
| Pitch                          | 75   | mm |
| Inner width                    | 15   | mm |
| Roller Ø                       | 31   | mm |
| Plate thickness B <sub>1</sub> | 13,8 | mm |

### CHAIN SPROCKETS P75 ROLLER 31

| Z  | d <sub>e</sub> | d <sub>p</sub> | PART NUMBER | D <sub>1</sub> | d <sub>m</sub> | A    | kg.   |
|----|----------------|----------------|-------------|----------------|----------------|------|-------|
| 8  | 217,6          | 195,98         | 14753108    | 30             | 90             | 46,6 | 4,52  |
| 9  | 241            | 219,3          | 14753109    | 30             | 90             | 46,6 | 5,36  |
| 10 | 264,4          | 242,77         | 14753110    | 30             | 110            | 58,7 | 8,70  |
| 11 | 287,9          | 266,25         | 14753111    | 30             | 110            | 58,7 | 9,60  |
| 12 | 311,5          | 289,8          | 14753112    | 30             | 110            | 58,7 | 10,73 |
| 13 | 334,1          | 313,42         | 14753113    | 30             | 110            | 58,7 | 11,83 |
| 14 | 358,7          | 337,05         | 14753114    | 30             | 110            | 58,7 | 11,83 |
| 15 | 382,3          | 360,67         | 14753115    | 30             | 110            | 58,7 | 14,45 |
| 16 | 406,1          | 384,45         | 14753116    | 30             | 133            | 64,4 | 17,43 |
| 17 | 429,7          | 408,07         | 14753117    | 30             | 133            | 64,4 | 17,43 |
| 21 | 524,8          | 503,17         | 14753121    | 30             | 133            | 64,4 | 26,07 |
| 25 | 620,1          | 598,42         | 14753125    | 30             | 133            | 64,4 | 26,07 |



ALL THE CHAIN SPROCKETS FOR TRANSPORTERS AND ELEVATORS ARE REALIZED WITH WELDED HUB.

## CHAIN SPROCKETS P100 R 31 - 40

### CHAIN

|                                |      |    |
|--------------------------------|------|----|
| Pitch                          | 100  | mm |
| Inner width                    | 15   | mm |
| Roller Ø                       | 31   | mm |
| Plate thickness B <sub>1</sub> | 13,8 | mm |

### CHAIN

|                                |     |    |
|--------------------------------|-----|----|
| Pitch                          | 100 | mm |
| Inner width                    | 22  | mm |
| Roller Ø                       | 40  | mm |
| Plate thickness B <sub>1</sub> | 20  | mm |

### CHAIN SPROCKETS P100 ROLLER 31 ROLLER 40

| Z  | d <sub>e</sub> | d <sub>p</sub> | PART NUMBER | D <sub>1</sub> | d <sub>m</sub> | A    | kg.   | PART NUMBER | d <sub>e</sub> | d <sub>p</sub> | D <sub>1</sub> | d <sub>m</sub> | A    | kg.   |
|----|----------------|----------------|-------------|----------------|----------------|------|-------|-------------|----------------|----------------|----------------|----------------|------|-------|
| 8  | 282,9          | 261,31         | 14993108    | 30             | 110            | 58,7 | 9,67  | 14994008    | 283            | 261,31         | 30             | 110            | 65   | 11,97 |
| 9  | 314,1          | 292,4          | 14993109    | 30             | 110            | 58,7 | 10,95 | 14994009    | 314            | 292,4          | 30             | 110            | 65   | 14,04 |
| 10 | 345,4          | 323,61         | 14993110    | 30             | 110            | 58,7 | 12,63 | 14994010    | 345            | 323,61         | 30             | 110            | 65   | 16,35 |
| 11 | 376,7          | 354,95         | 14993111    | 30             | 110            | 58,7 | 12,14 | 14994011    | 378            | 354,95         | 30             | 110            | 65   | 18,82 |
| 12 | 408,1          | 386,4          | 14993112    | 30             | 110            | 58,7 | 16,51 | 14994012    | 409            | 386,4          | 30             | 110            | 65   | 21,58 |
| 13 | 139,6          | 417,9          | 14993113    | 30             | 110            | 58,7 | 18,51 |             |                |                |                |                |      |       |
| 14 |                |                |             |                |                |      |       | 14994014    | 473            | 449,4          | 30             | 110            | 65   | 28,14 |
| 15 |                |                |             |                |                |      |       |             |                |                |                |                |      |       |
| 16 | 534,3          | 512,6          | 14993116    | 30             | 133            | 64,4 | 27,16 | 14994016    | 536            | 512,6          | 30             | 133            | 70,6 | 33,87 |
| 17 | 565,8          | 544,1          | 14993117    | 30             | 133            | 64,4 | 30,01 |             |                |                |                |                |      |       |
| 18 | 597,6          | 575,9          | 14993118    | 30             | 133            | 64,4 | 51,2  |             |                |                |                |                |      |       |
| 19 |                |                |             |                |                |      |       |             |                |                |                |                |      |       |
| 20 |                |                |             |                |                |      |       | 14994020    | 663            | 639,2          | 30             | 133            | 70,6 | 48,5  |

CAD drawings available on our site [www.chiaravalli.com](http://www.chiaravalli.com)

Quantity, availability and prices on B2B Chiaravalli



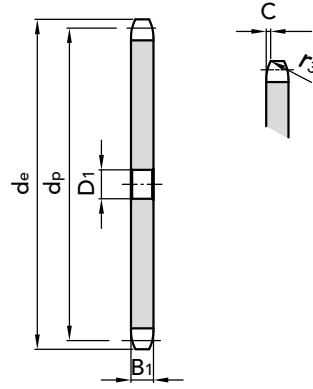
## PLATEWHEELS P50 R 25 - 31

### CHAIN

|                       |      |    |
|-----------------------|------|----|
| Pitch                 | 50   | mm |
| Inner width           | 11,5 | mm |
| Roller Ø              | 25   | mm |
| Plate thickness $B_1$ | 10,5 | mm |

### CHAIN

|                       |      |    |
|-----------------------|------|----|
| Pitch                 | 50   | mm |
| Inner width           | 15   | mm |
| Roller Ø              | 31   | mm |
| Plate thickness $B_1$ | 13,8 | mm |



### ROLLER 25

| Z  | D <sub>1</sub> | P. NUMBER | d <sub>e</sub> | d <sub>p</sub> | kg.   |
|----|----------------|-----------|----------------|----------------|-------|
| 6  | 20             | 24502506  | 115            | 100            | 0,55  |
| 7  | 20             | 24502507  | 132,7          | 115,24         | 0,76  |
| 8  | 20             | 24502508  | 148,1          | 130,6          | 0,92  |
| 9  | 20             | 24502509  | 163,7          | 146,2          | 1,30  |
| 10 | 25             | 24502510  | 179,3          | 161,85         | 1,45  |
| 11 | 25             | 24502511  | 195            | 177,5          | 1,94  |
| 12 | 25             | 24502512  | 211            | 193,2          | 2,01  |
| 13 | 30             | 24502513  | 226,4          | 208,95         | 2,33  |
| 14 | 30             | 24502514  | 242,2          | 224,7          | 3,06  |
| 15 | 30             | 24502515  | 257,9          | 240,45         | 3,80  |
| 16 | 30             | 24502516  | 273,8          | 256,3          | 4,00  |
| 17 | 30             | 24502517  | 289,5          | 272,05         | 4,20  |
| 18 | 30             | 24502518  | 305,4          | 287,95         | 5,10  |
| 19 | 30             | 24502519  | 321,3          | 303,8          | 6,00  |
| 20 | 30             | 24502520  | 337,1          | 319,6          | 6,45  |
| 21 | 30             | 24502521  | 352,9          | 335,45         | 6,89  |
| 22 |                |           |                |                |       |
| 23 |                |           |                |                |       |
| 24 | 30             | 24502524  | 400            | 383,05         | 9,07  |
| 25 | 30             | 24502525  | 416,4          | 398,95         | 9,97  |
| 26 | 30             | 24502526  | 432,3          | 414,8          | 12,06 |
| 27 | 30             | 24502527  | 448,2          | 430,7          | 12,88 |
| 28 | 30             | 24502528  | 464            | 446,55         | 13,83 |
| 30 | 30             | 24502530  | 495,8          | 478,35         | 14,32 |
| 32 |                |           |                |                |       |
| 35 |                |           |                |                |       |
| 38 | 30             | 24502538  | 622,9          | 605,45         | 21,50 |

### ROLLER 31

| Z  | D <sub>1</sub> | P. NUMBER | d <sub>e</sub> | d <sub>p</sub> | kg.   |
|----|----------------|-----------|----------------|----------------|-------|
| 6  | 20             | 24503106  | 116,2          | 100,00         | 0,75  |
| 7  | 20             | 24503107  | 133,8          | 115,24         | 1,00  |
| 8  | 20             | 24503108  | 152,3          | 130,60         | 1,10  |
| 9  | 20             | 24503109  | 167,9          | 146,20         | 1,71  |
| 10 | 25             | 24503110  | 183,5          | 161,85         | 2,02  |
| 11 | 25             | 24503111  | 199,2          | 177,50         | 2,31  |
| 12 | 25             | 24503112  | 212,0          | 193,20         | 2,50  |
| 13 | 30             | 24503113  | 230,6          | 208,95         | 2,98  |
| 14 | 30             | 24503114  | 246,4          | 224,70         | 4,05  |
| 15 | 30             | 24503115  | 262,1          | 240,45         | 4,90  |
| 16 | 30             | 24503116  | 278,0          | 256,30         | 5,04  |
| 17 |                |           |                |                |       |
| 18 | 30             | 24503118  | 309,6          | 287,95         | 6,90  |
| 19 | 30             | 24503119  | 325,5          | 303,80         | 6,85  |
| 20 | 30             | 24503120  | 341,3          | 319,60         | 8,06  |
| 21 | 30             | 24503121  | 357,1          | 335,45         | 8,80  |
| 22 | 30             | 24503122  | 373,0          | 351,35         | 9,90  |
| 23 | 30             | 24503123  | 388,9          | 367,20         | 10,06 |
| 24 | 30             | 24503124  | 404,7          | 383,05         | 11,25 |
| 25 | 30             | 24503125  | 419,7          | 398,95         | 12,30 |
| 26 | 30             | 24503126  | 436,5          | 414,80         | 14,11 |
| 27 | 30             | 24503127  | 452,4          | 430,70         | 15,46 |
| 28 | 30             | 24503128  | 468,2          | 446,55         | 16,80 |
| 30 |                |           |                |                |       |
| 32 | 30             | 24503132  | 531,8          | 510,10         | 21,35 |
| 35 | 30             | 24503135  | 579,5          | 557,80         | 25,7  |
| 38 | 30             | 24503138  | 622,0          | 605,45         | 30,05 |

MATERIAL **FE / C45**

Ask for specific needs.

CAD drawings available on our site  
[www.chiaravalli.com](http://www.chiaravalli.com)

Quantity, availability and prices  
on B2B Chiaravalli




**PLATEWHEELS P75 R 25**
**CHAIN**

|                                |      |    |
|--------------------------------|------|----|
| Pitch                          | 75   | mm |
| Inner width                    | 15   | mm |
| Roller Ø                       | 25   | mm |
| Plate thickness B <sub>1</sub> | 13,8 | mm |

**PLATEWHEELS P75 R 31**
**CHAIN**

|                                |      |    |
|--------------------------------|------|----|
| Pitch                          | 75   | mm |
| Inner width                    | 15   | mm |
| Roller Ø                       | 31   | mm |
| Plate thickness B <sub>1</sub> | 13,8 | mm |

**ROLLER 25**
**ROLLER 31**

| Z  | D <sub>1</sub> | P. NUMBER | d <sub>e</sub> | d <sub>p</sub> | kg.   | Z  | D <sub>1</sub> | P. NUMBER | d <sub>e</sub> | d <sub>p</sub> | kg.   |
|----|----------------|-----------|----------------|----------------|-------|----|----------------|-----------|----------------|----------------|-------|
| 8  | 30             | 24752508  | 213,4          | 195,98         | 3,20  | 8  | 30             | 24753108  | 213,4          | 195,98         | 3,50  |
| 9  | 30             | 24752509  | 236,8          | 219,3          | 4,00  | 9  | 30             | 24753109  | 236,8          | 219,3          | 3,80  |
| 10 | 30             | 24752510  | 260,2          | 242,77         | 5,00  | 10 | 30             | 24753110  | 260,2          | 242,77         | 4,50  |
| 11 | 30             | 24752511  | 283,7          | 266,25         | 5,43  | 11 | 30             | 24753111  | 283,7          | 266,25         | 5,57  |
| 12 | 30             | 24752512  | 307,3          | 289,8          | 7,00  | 12 | 30             | 24753112  | 307,3          | 289,8          | 6,70  |
| 13 | 30             | 24752513  | 330,9          | 313,42         | 7,56  | 13 | 30             | 24753113  | 330,9          | 313,42         | 7,80  |
| 14 |                |           |                |                |       | 14 | 30             | 24753114  | 358,7          | 337,05         | 9,12  |
| 15 | 30             | 24752515  | 378,1          | 360,67         | 8,00  | 15 | 30             | 24753115  | 378,1          | 360,67         | 10,42 |
| 16 | 30             | 24752516  | 401,9          | 384,45         | 12,17 | 16 | 30             | 24753116  | 401,9          | 384,45         | 11,98 |
| 17 |                |           |                |                |       | 17 |                |           |                |                |       |
| 20 |                |           |                |                |       | 20 |                |           |                |                |       |
| 21 |                |           |                |                |       | 21 | 30             | 24753121  | 524,8          | 503,17         | 20,62 |
| 25 | 30             | 24752525  | 615,9          | 598,42         | 29,25 | 25 | 30             | 24753125  | 615,9          | 598,42         | 27,00 |

**PLATEWHEELS P100 R 31**
**CHAIN**

|                                |      |    |
|--------------------------------|------|----|
| Pitch                          | 100  | mm |
| Inner width                    | 15   | mm |
| Roller Ø                       | 31   | mm |
| Plate thickness B <sub>1</sub> | 13,8 | mm |

**PLATEWHEELS P100 R 40**
**CHAIN**

|                                |     |    |
|--------------------------------|-----|----|
| Pitch                          | 100 | mm |
| Inner width                    | 22  | mm |
| Roller Ø                       | 40  | mm |
| Plate thickness B <sub>1</sub> | 20  | mm |

**ROLLER 31**
**ROLLER 40**

| Z  | D <sub>1</sub> | P. NUMBER | d <sub>e</sub> | d <sub>p</sub> | kg.   | Z  | D <sub>1</sub> | P. NUMBER | d <sub>e</sub> | d <sub>p</sub> | kg.   |
|----|----------------|-----------|----------------|----------------|-------|----|----------------|-----------|----------------|----------------|-------|
| 8  | 30             | 24993108  | 282,9          | 261,31         | 4,92  | 8  | 30             | 24994008  | 283            | 261,31         | 7,14  |
| 9  | 30             | 24993109  | 314,1          | 292,4          | 6,03  | 9  | 30             | 24994009  | 314            | 292,4          | 10,03 |
| 10 | 30             | 24993110  | 345,4          | 323,61         | 8,00  | 10 | 30             | 24994010  | 345            | 323,61         | 11,95 |
| 11 | 30             | 24993111  | 376,7          | 354,95         | 9,04  | 11 | 30             | 24994011  | 378            | 354,95         | 15,02 |
| 12 | 30             | 24993112  | 408,1          | 386,4          | 10,75 | 12 | 30             | 24994012  | 409            | 386,4          | 17,27 |
| 13 | 30             | 24993113  | 139,6          | 417,9          | 16,00 | 13 |                |           |                |                |       |
| 14 | 30             | 24993114  | 471,1          | 449,4          | 17,00 | 14 | 30             | 24994014  | 473            | 449,4          | 24,60 |
| 15 | 30             | 24993115  | 502,6          | 480,9          | 19,00 | 15 |                |           |                |                |       |
| 16 | 30             | 24993116  | 534,3          | 512,6          | 21,80 | 16 | 30             | 24994016  | 536            | 512,6          | 27,99 |
| 17 | 30             | 24993117  | 565,8          | 544,1          | 24,77 | 17 |                |           |                |                |       |
| 18 | 30             | 24993118  | 597,6          | 575,9          | 26,43 | 18 |                |           |                |                |       |
| 19 |                |           |                |                |       | 19 |                |           |                |                |       |
| 20 |                |           |                |                |       | 20 | 30             | 24994020  | 663            | 639,2          | 42,62 |

MATERIAL **FE / C45**

Ask for specific needs.



CAD drawings available on our site  
[www.chiaravalli.com](http://www.chiaravalli.com)

Quantity, availability and prices  
 on B2B Chiaravalli

